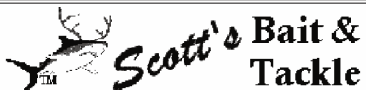




PARTS LIST FOR MODEL CV2 8000

www.PENNparts.com

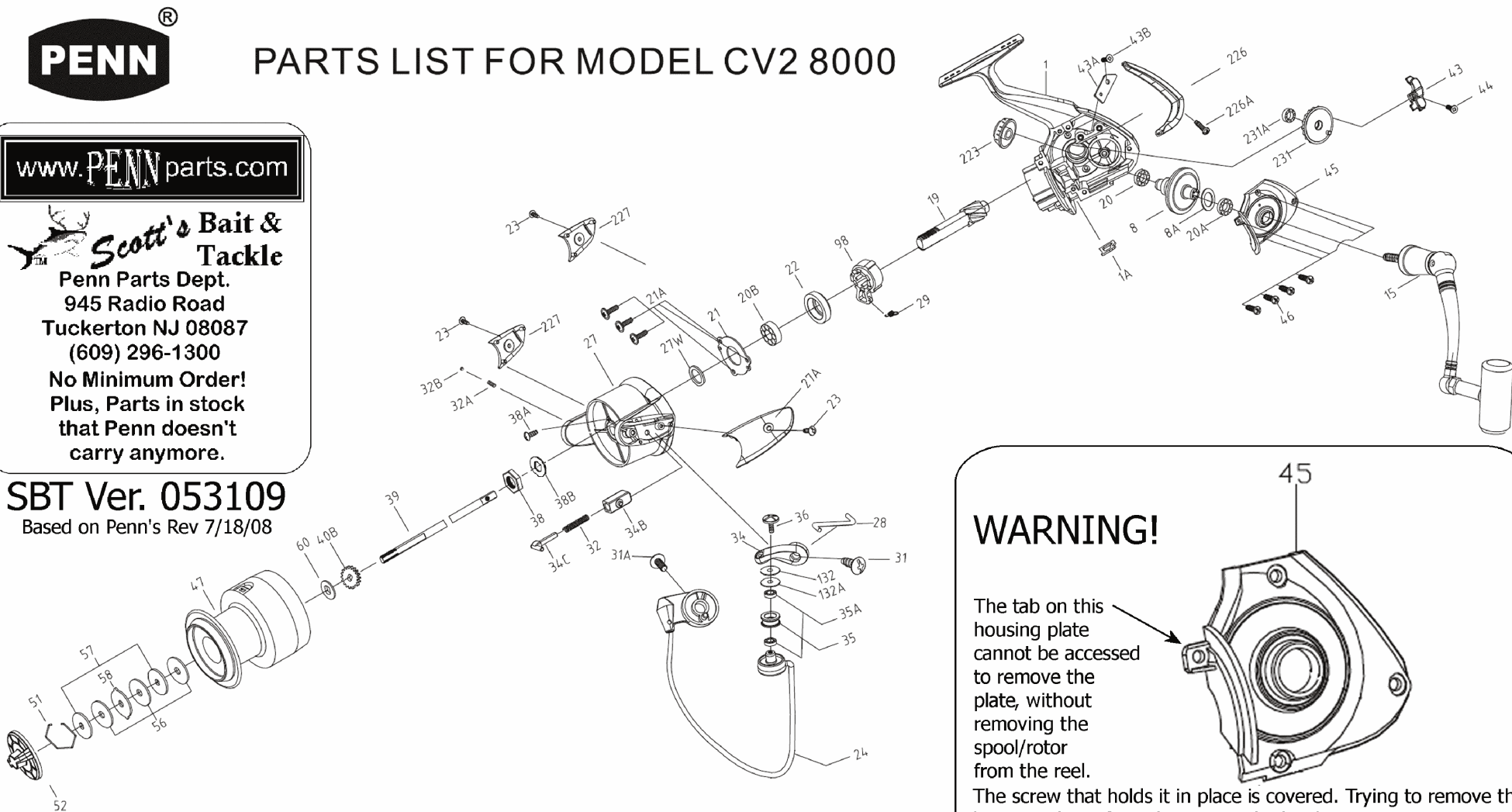


Penn Parts Dept.
945 Radio Road
Tuckerton NJ 08087
(609) 296-1300

No Minimum Order!
Plus, Parts in stock
that Penn doesn't
carry anymore.

SBT Ver. 053109

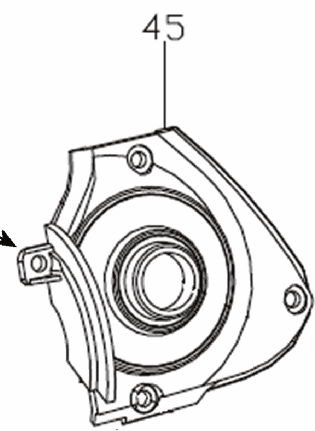
Based on Penn's Rev 7/18/08



WARNING!

The tab on this housing plate cannot be accessed to remove the plate, without removing the spool/rotor from the reel.

The screw that holds it in place is covered. Trying to remove the housing plate after taking out only the three outer screws can result in breaking the housing plate.



Penn Reel Parts list for:

Model: CV2 8000 Captiva

KEY PART			KEY PART		
NO	NO.	DESCRIPTION	NO	NO.	DESCRIPTION
1	1-8000CV2	HOUSING	36	36-4000CV2	BAIL STUD SCREW
1A	1A-8000CV2	HOUSING INSERT	38	38-8000CV2	ROTOR NUT
8	8-8000CV2	MAIN GEAR ASSEMBLY	38A	38A-2000CV2	ROTOR NUT SCREW
8A	8A-8000CV2	MAIN GEAR SHIM (USES 1 OR 2)	38B	38B-8000CV2	ROTOR NUT WASHER
15	15-8000CV2	HANDLE ASSEMBLY	39	39-8000CV2	SPOOL SHAFT
19	19-8000CV2	PINION GEAR	40B	40B-8000CV2	CLICK RATCHET
20	20-8000CV2	HOUSING BALL BEARING	43	43-8000CV2	CROSSWIND BLOCK
20A	20A-8000CV2	HOUSING COVER BALL BEARING	43A	43A-8000CV2	CROSSWIND BLOCK PLATE
20B	20B-8000CV2	PINION BALL BEARING	43B	43B-8000CV2	CROSSWIND PLATE SCREW
21	21-8000CV2	BEARING RETAINER	44	44-8000CV2	CROSSWIND BLOCK SCREW
21A	21A-8000CV2	BEARING RETAINER SCREW (USES 3)	45	45-8000CV2	HOUSING COVER
22	22-8000CV2	COLLAR	46	46-8000CV2	HOUSING COVER SCREW (USES 4)
23	23-8000CV2	ROTOR SIDE COVER SCREWS (USES 2)	47	47-8000CV2	SPOOL ASSEMBLY
24	24-8000CV2	BAIL WIRE	51	51-8000CV2	RETAINING RING
27	27-8000CV2	ROTOR CUP	52	52-8000CV2	DRAG KNOB
27A	27A-8000CV2	BAIL PIVOT COVER	56	56-8000CV2	FRICTION DRAG WASHER (USES 3)
27W	27W-8000CV2	ROTOR WASHER (USES 2)	57	57-8000CV2	KEYED WASHER (USES 2)
28	28-8000CV2	TRIP LEVER	58	58-8000CV2	EARED DRAG WASHER
29	29-8000CV2	SPRING	60	60-8000CV2	THRUST WASHER
31	31-8000CV2	BAIL ARM SCREW	98	98-8000CV2	CLUTCH RETAINER & SLEEVE
31A	31A-8000CV2	BAIL WIRE SCREW	132	132-4000CV2	LINE ROLLER BUSHING
32	32-8000CV2	BAIL SPRING	132A	132A-2000CV2	LINE ROLLER WASHER
32A	32A-8000CV2	BAIL STABILIZING SPRING	226	226-8000CV2	REAR CAP
32B	32B-8000CV2	BAIL STABILIZING BALL	226A	226A-8000CV2	REAR CAP SCREW
34	34-8000CV2	BAIL ARM	227	227-8000CV2	BAIL CAM COVER
34B	34B-8000CV2	PIVOT GUIDE	231	231-8000CV2	CROSSWIND GEAR
34C	34C-8000CV2	PIVOT ARM	231A	231A-8000CV2	CROSSWIND GEAR BALL BEARING
35	35-4000CV2	LINE ROLLER	233	233-8000CV2	BEARING COVER
35A	35A-2000CV2	LINE ROLLER BALL BEARING (USES 2)			

NOTE: Many of www.pennparts.com schematics include changes that were either made by Penn, or errors found and corrected by our parts dept.

SBT Ver. 053109 (based on Penn's Rev.7/18/08)

NOTE: BOTH THE ROTOR NUT AND THE HANDLE COLLAR
HAVE REVERSE THREADS
INSTALL BY TURNING COUNTER-CLOCKWISE

NOTE: There are a set of two pieces that were not shown on the original Penn schematic and parts list at all. There are a spring and ball balanced underneath the end of bail wire on the opposite side from the roller snugged between the round attachment and the rotor cup. They function to keep the bail wire from standing completely upright, it will instead flip either one way or the other.

We assigned them numbers:

32A-8000CV Bail Stabilizing Spring

32B-8000CV Bail Stabilizing Ball

We do not at this time know if Penn will make this a serviceable part number.