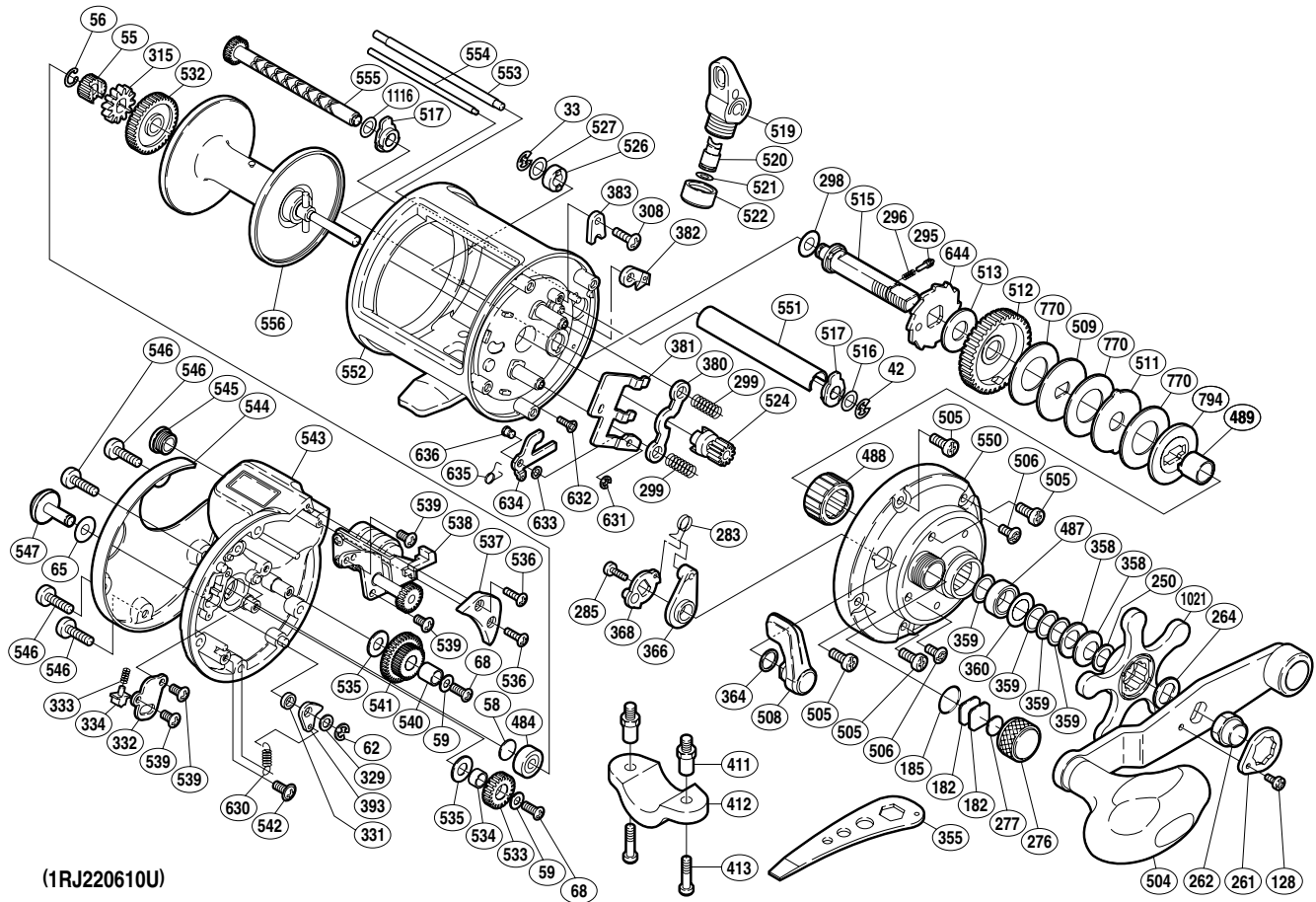


SHIMANO®

TEKOTA ⚙️ A-RB

TEK-600LC



(1RJ220610U)

Part No.	Description	Part No.	Description	Part No.	Description
TGT0033	Drive Shaft Retainer	TGT0366	Eccentric Cam Bushing	TGT0538	Counter Assembly
TGT0042	Worm Shaft Retainer	TGT0368	Clutch Cam	TGT0539	Multi-Purpose Screw
TGT0055	Idle Gear "A"	TGT0380	Yoke	TGT0540	Idle Gear "D" Support
TGT0056	Idle Gear "A" Retainer	TGT0381	Yoke Plate	TGT0541	Idle Gear "D"
TGT0058	Spacer "B"	TGT0382	Anti-Reverse Pawl	TGT0542	Click Pawl Spring Screw
TGT0059	Lock Washer	TGT0383	Anti-Reverse Pawl Keeper	TGT0543	Left Side Plate
TGT0062	Click Pawl Retainer	TGT0393	Click Pawl	TGT0544	Left Side Plate Cover
TGT0065	Spacer (A)	TGT0484	Ball Bearing	TGT0545	Maintenance Cap
TGT0068	Idle Gear Screw	TGT0487	Ball Bearing	TGT0546	Left Side Plate Screw
TGT0128	Handle Nut Plate Screw	TGT0488	Roller Clutch Bearing	TGT0547	Click Button
TGT0182	Cast Control Spacer (A)	TGT0489	Roller Clutch Inner Tube	TGT0550	Right Side Plate
TGT0185	"O" Ring	TGT0504	Handle Assembly	TGT0551	Level Wind Guard
TGT0250	Star Drag Washer	TGT0505	Right Side Plate Screw (A)	TGT0552	One-Piece Frame
TGT0261	Handle Nut Plate	TGT0506	Right Side Plate Screw (B)	TGT0553	Stabilizer Bar "A"
TGT0262	Handle Nut	TGT0508	Clutch Lever	TGT0554	Stabilizer Bar "B"
TGT0264	Drive Shaft Shield	TGT0509	Key Washer (B)	TGT0555	Worm Shaft
TGT0276	Cast Control Cap	TGT0511	Eared Washer (A)	TGT0556	Spool Assembly
TGT0277	Cast Control Spacer (B)	TGT0512	Drive Gear	TGT0630	Click Pawl Spring
TGT0283	Clutch Spring	TGT0513	Drag Washer (A)	TGT0631	Clutch Pawl Retainer
TGT0285	Clutch Lever Screw	TGT0515	Drive Shaft	TGT0632	Yoke Plate Screw
TGT0295	Click Pin	TGT0516	Worm Shaft Spacer	TGT0633	Adjusting Washer
TGT0296	Click Spring	TGT0517	Worm Bushing	TGT0634	Clutch Pawl
TGT0298	Drive Shaft Washer (B)	TGT0519	Line Guide	TGT0635	Clutch Pawl Spring
TGT0299	Yoke Spring	TGT0520	Line Guide Pawl	TGT0636	Clutch Pawl Pin
TGT0308	Anti-Reverse Pawl Screw	TGT0521	Spacer	TGT0644	Anti-Reverse Ratchet
TGT0315	Click Gear	TGT0522	Pawl Cap	TGT0770	Drag Washer (B)
TGT0329	Spacer (B)	TGT0524	Pinion Gear	TGT0794	Key Washer (A)
TGT0331	Click Pawl Spacer	TGT0526	Drive Shaft Bushing	TGT1021	Star Drag
TGT0332	Click Spring Retainer	TGT0527	Drive Shaft Washer (A)	TGT1116	Worm Shaft Spacer
TGT0333	Click Spring	TGT0532	Counter Gear "A"		
TGT0334	Click Spring Holder	TGT0533	Idle Gear "B"	TGT0411	Rod Clamp Nut (accessory)
TGT0358	Drag Spring Washer (8L)	TGT0534	Idle Gear "B" Support	TGT0412	Rod Clamp (accessory)
TGT0359	Bearing Thrust Washer	TGT0535	Spacer "A"	TGT0413	Rod Clamp Bolt (accessory)
TGT0360	Bearing Seal	TGT0536	Left Side Plate Seal Screw		
TGT0364	Smoother	TGT0537	Left Side Plate Seal	TGT0355	Wrench (accessory)