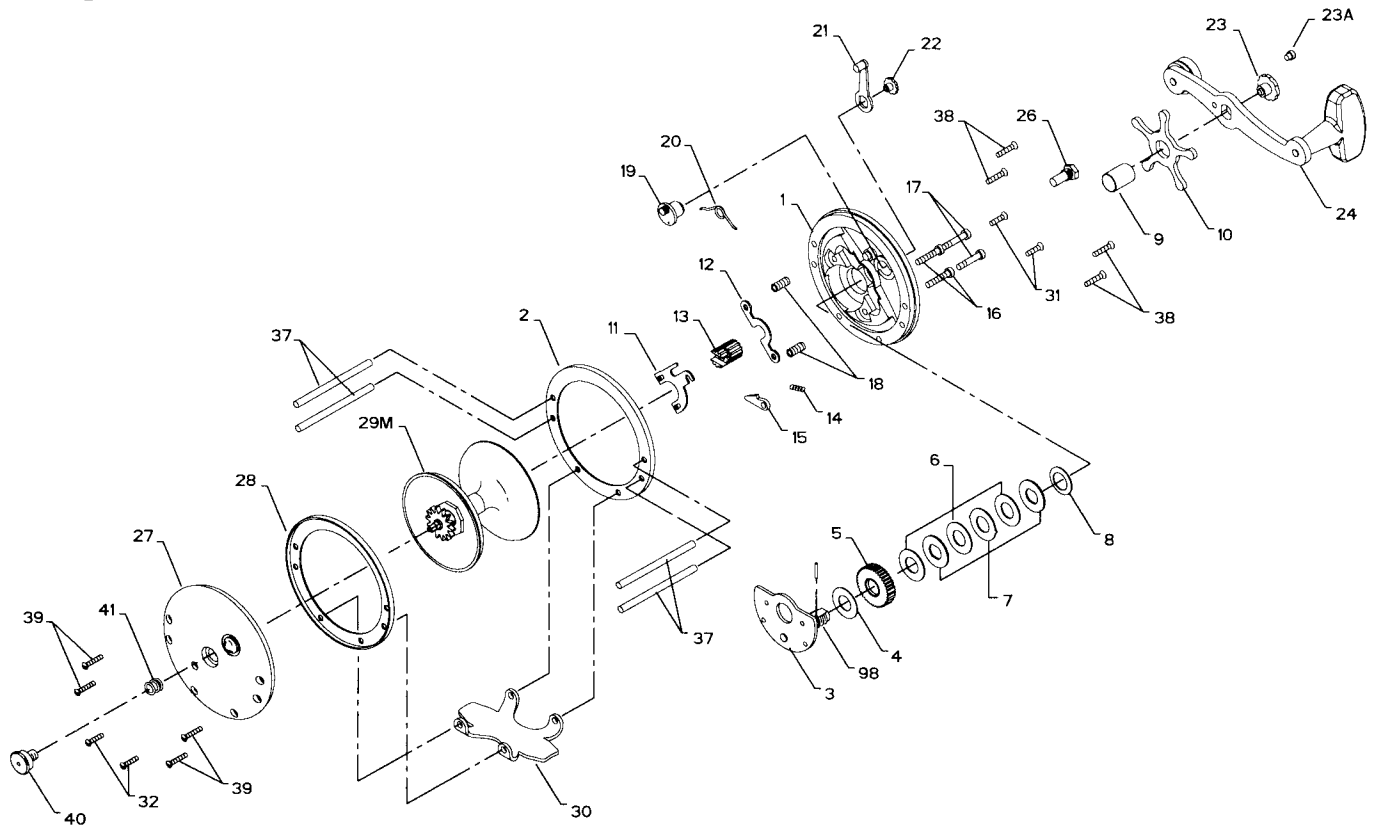




PARTS AND PRICE LIST FOR MODELS 60, 65, 66, 67 AND 68



Key No.	Part No.	Description	Price	Key No.	Part No.	Description	Price
1	1-60	Right Side Plate (60-65)	\$3.50	26	26-60	Right Side Bearing	\$1.8
	*1-66	Right Side Plate (66)	4.70	27	27-60	Left Side Plate Assembly	3.2
	*1-67	Right Side Plate (67)	4.70		*27-65	Left Side Plate Assembly	3.2
	*1-68	Right Side Plate (68)	4.70		*27-66	Left Side Plate (66-67-68)	4.2
2	2-60	Right Side Plate (60-65)	2.75	28	28-60	Left Side Ring	2.7
	*2-66	Right Side Plate (66-67-68)	3.30		*2-66	Left Side Ring (66-67-68)	3.3
3	3-66	Bridge w/Sleeve	5.00	29M	29M-60	Spool	10.0
4	4-60	Fiber Washer	.40		*29M-65	Spool	10.6
5	5-60	Main Gear (60-65)	3.60		*29M-66	Spool	12.0
	*5-66	Main Gear (66-67-68)	4.30		*29M-67	Spool	12.2
6	6-60	Drag Washer (3 req.)	.70		*29M-68	Spool	13.0
	*6-113	Drag Washer (3 req.)	.95	30	30-60	Stand	5.3
7	7C-60	Metal Washer Set	2.70		*30-65	Stand	5.5
8	8-60	Tension Spring	.50		*30-66	Stand	5.7
9	9-60	Spacing Sleeve (60-65)	.90		*30-200	Stand (67)	5.7
	*9-66	Spacing Sleeve (66-67-68)	1.10		*30-68	Stand	6.3
10	10-60	Star Drag Wheel (60-65)	2.50	31	39-4	R.S. Stand Screw (66-65)	.4
	*10-66	Star Drag Wheel (66-67-68)	3.10		38-8	R.S. Stand Screw (66-67-68)	.4
11	*11-60	Eccentric Jack (60-65)	1.10	32	39-4	L.S. Stand Screw (60-65)	.4
	11-66	Eccentric Jack (66-67-68)	1.25		32-16	L.S. Stand Screw (66-67-68)	.4
12	12-60	Pinion Yoke	.90	33	*33-113	Rod Clamp (66-67-68)	4.0
13	13-60	Pinion (60-65)	2.45		*33R-200	Ringed Rod Clamp (66-67-68) (Optional)	6.2
	*13-49	Pinion (66-67-68)	3.10	34	*34-45	Clamp Screw Only (66-67-68)	.9
14	14-99	Dog Spring	.40	34C	34C-45	Rod Clamp Screw w/Nuts	2.2
15	15-99	Dog	.90	37	37-60	Frame Post (60)	1.6
16	16-60	Lower Bridge Screw	.40		*37-65	Frame Post (65-66)	1.6
17	17-60	Upper Bridge Screw	.40		*37-113	Frame Post (67)	1.7
18	18-60	Clutch Spring	.40		*37-113HLW	Frame Post (68)	1.8
19	19-60	Eccentric	1.80	38	39-5	Right Side Post Screw (60-65)	.4
20	20-60	Eccentric Spring	.40		39-6	Right Side Post Screw (66-67-68)	.4
21	21-285	Eccentric Lever (60-65)	1.50	39	39-5	Left Side Post Screw	.4
	*21-66	Eccentric Lever (66-67-68)	1.50	40	40-60	Left Side Bearing	2.3
22	22-60	Eccentric Screw	.50	41	41-60	Left Side Bearing Spring	.8
23	23-60	Handle Screw	1.70	98	98-60	Gear Sleeve	2.5
23A	110-60	Handle Lock Screw	.40	149	*149-45	Clamp Nut (66-67-68)	.9
24	24-66	Handle	6.60	149	*149-200	Hex Nut (66-67-68)	.4

*Not Shown